

MRV-15 Series

Electrically or pneumatically (air) operated Cleanroom Vacuum cleaner systems for the recovery of Mercury.

Models MRV-15 ELEC (STD) and MRV-15 (AIR) STD



Characteristics:



Cleanroom compatible

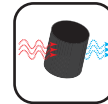


HEPA

HEPA filter



Toolkit included



Activated Carbon cartridge



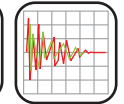
WET DRY

Wet & dry Applications



Hg

Mercury recovery



EMI-RFI shielded

CE

- Mercury recovery vacuum cleaner system with polyethylene recovery tank and Middle Ring assembly.
- For wet and dry recovery.
- Electrically or pneumatically (air) operated powerhead.
- HEPA Filter efficiency of 99.995% @ 0.3 micron. Tested: IEST RP-CC001.3. H14 by MPPS method as per EN 1822.
- Mersorb© Activated Carbon to neutralize mercury vapors by adsorption.
- Includes mercury separator, hour counter (for electric model only) and suction hose.
- EMI/RFI suppressor.
- Can be converted into an acid recovery unit (ARU).

Tiger-Vac[®]

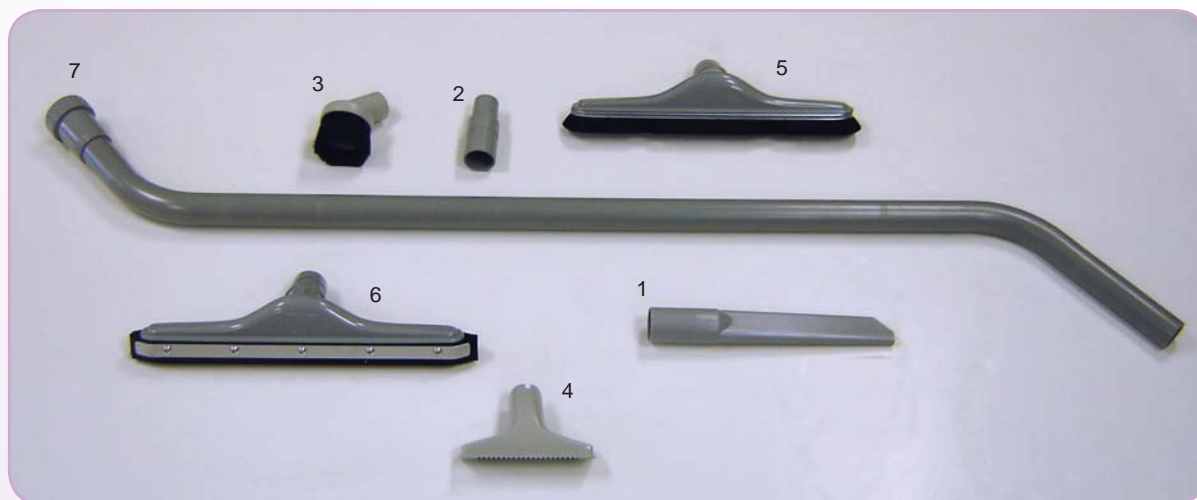
...The name to vacuum with

Tiger-Vac Europa Srl
Via Marie Curie 17
Zona Industriale Ponte Rizzoli
40064 Ozzano Emilia BO ITALIA
Tel.: 39 051 795352
Fax.: 39 051 4695077
E-mail: info@tiger-vac.it
<http://www.tiger-vac.eu>

Electrical and Pneumatic Performance Chart

CE Model	Phase/Volts 50 Hz	Electric current	Electric power	Airflow	Vacuum at sealed orifice	Recovery capacity
MRV-15 ELEC (STD)	1/240	5A	1.05 kW	173 m ³ /h	2.100 mm H ₂ O	19ℓ / 40ℓ
Filter surface area: 16.950 cm ²						
Noise level: 70 dB(A) at 2m.						
Compressor size	Air line size	Input Air pressure/bar	Suction intake Ø	Vacuum H₂O	Airflow	
30 HP	0.5" (12.7 mm)	80 PSI /5.5 Barr	1.5" (38mm)	170" (4320mm)	110 CFM/52 ℓ/s	
30 HP	0.5" (12.7 mm)	100 PSI / 6.9 Barr	1.5" (38mm)	200" (5080mm)	95 CFM / 45 ℓ/s	

Included with the MRV-15 Series



8



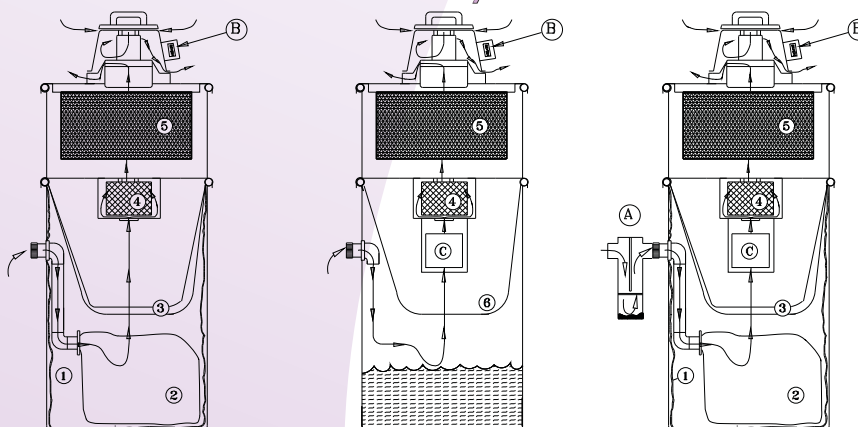
9



10

1-	Crevice Tool. 27cm. PVC
2-	Reducer. Ø38mm to Ø32mm
3-	Round brush. 76mm. PVC
4-	Upholstery tool. PVC
5-	Floor brush with Nylon bristles. 35cm. ABS
6-	Squeegee tool with squeegee blades for liquid recovery. 35cm. ABS Replacement squeegee blades (set of 2, not shown).
7-	Double bend wand with ABS American attachment. 137cm. PVC.
8-	Replacement Mercury recovery jars with lid. 540ml
9-	Clear suction hose, with smooth interior and exterior.
10-	Mercury recovery separator. Includes 2 recovery jars and lids.

Filtration system



Item	Description
A- Mercury Separator & detachable mercury recovery jar:	Separates the liquid mercury and directs it into the recovery jar. The mercury separator is made of stainless steel for excellent corrosion resistance and easy decontamination. Separator assembly includes 2 jars.
B- Hour Counter / Timer:	Facilitates the measuring of the carbon filter life.
C- Floater:	Cuts-off suction when recovered liquids reach capacity level.
1- Poly liner:	Clear poly line (6 mil) disposable, to facilitate recovery and disposal.
2- Paper Filter Bag:	Disposable paper filter bag with latex micro-liner, on micron efficiency. Facilitates recovery and disposal.
3- Double Cloth Filter:	Washable, one micron efficiency
4- HEPA Filter:	99.99% efficiency on 0.3 microns
5- Carbon Cartridge Assembly:	For the adsorption of mercury vapors and odors. Designed to completely adsorb mercury vapors for one hour of continuous exposure. After one hour of exposure the concentrations of mercury vapors will begin to rise above 0.000 mg/M ³ . Once the carbon has been exposed to mercury vapors for one hour, it is the operator's responsibility to ensure that the exhaust air falls within permissible exposure limits. The recommended device is the Jerome brand mercury analyzer or other similar devices. (Not included with the vacuum cleaner.)
6- Liquid Filter:	Made of polypropylene mesh. Prevents large particles from being sucked-up during liquid recovery.

For complete details please visit our website at WWW.TIGER-VAC.EU or contact one of our technical representatives.
Specifications are subject to change without notice. Images are for illustration purposes only. Tiger-Vac is a registered trademark.