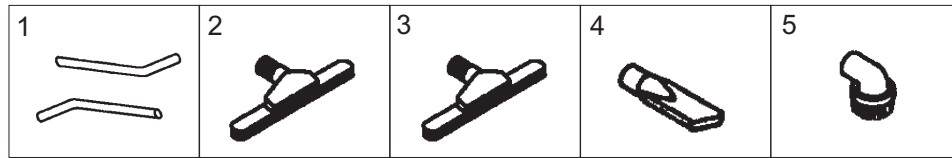
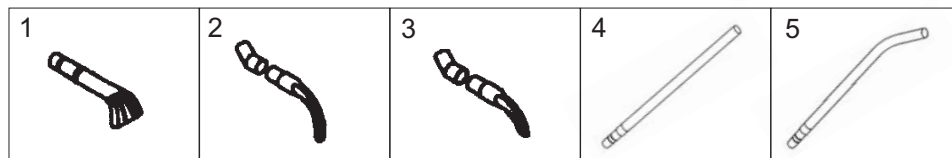


Standard Accessories - Custom Built ø1.5" Tool Kit # 15



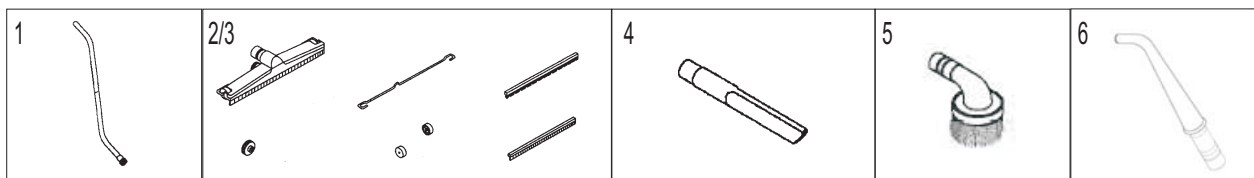
1	381477	Double Bend Wand, 2 pcs. Chrome	
2	381485	Floor Tool with brushes. 16". PVC	
3	381490	Floor Tool with squeegee. 16". PVC	
4	381480	Crevice Tool. 10". PVC	
5	381482	Dusting Brush. 3". PVC	
	383550		Total Tool Kit # 15



1	381228	Tiger Claw Tool. ø1.5". PVC	
2	381168	Pipe Cleaning Tool Assembly. For 1" to 4" pipes. ø1.5". PVC	
3	381169	Pipe Cleaning Tool Assembly. For 4" to 8" pipes. ø1.5". PVC	
4	381164	Straight Extension Wand with with plastic tool coupling, ø1.5" x 54", plastic	
5	381351C	Single Bend Wand with ABS american attachment, ø1.5", PVC	

OTHER TOOLS AND ACCESSORIES AVAILABLE. PLEASE REVIEW ENCLOSED LISTINGS

TOOL KIT No. 11 - EXPLOSION PROOF FOR USE WITH STATIC CONDUCTIVE CRUSHPROOF SUCTION HOSE (WITHOUT WIRE) - ø1.5"



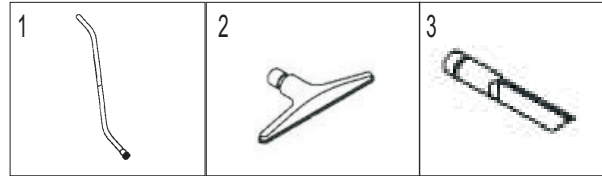
1	381364	Wand Assembly with aluminum attachment, 2 pcs, S/S**	
2	381236	Universal Tool Assembly, SD*, 18", aluminum with conductive brushes and rubber blades	
3	381178	Knob for Universal Tool	
	381237	Axle for Universal Tool, 18", brass	
	381238	Wheel for Universal Tool, brass	
	381172	Blades for Universal Tool, set of 2, 18", rubber	
	381173A	Brush Strip for Universal Tool, set of 2, conductive brushes	
4	381188	Crevice Tool, 11", aluminum	
5	381185A	Dusting Brush, ø5", aluminum with conductive brushes	
6	383462	Conical Nozzle with curved tip, 11", conductive rubber with aluminum adaptor	
	381131		Tool Kit # 11, for Explosion Proof Vacuum Cleaners, ø1.5"

N.B. THE STATIC CONDUCTIVE CRUSHPROOF SUCTION HOSE WITHOUT WIRE FOR USE WITH THIS TOOL KIT IS LISTED SEPARATELY. A STATIC CONDUCTIVE HOSE CUFF IS INSTALLED ON THE HOSE END TO ALLOW FOR PRESSURE FIT CONNECTION WITH THE ATTACHMENT. THE STATIC CONDUCTIVE CRUSHPROOF HOSE IS A GENERAL PURPOSE HOSE.

OTHER TOOLS AND ACCESSORIES AVAILABLE. PLEASE REVIEW ENCLOSED LISTINGS

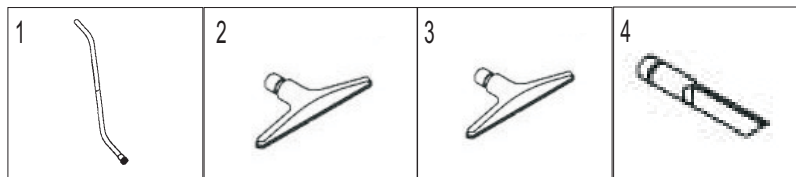
THE ABOVE PRICES ARE EXPRESSED IN US DOLLARS FOB CHAMPLAIN, NY - PRICES SUBJECT TO CHANGE WITHOUT NOTICE

TOOL KIT No. 17 - STATIC DISSIPATIVE FOR USE WITH STATIC CONDUCTIVE CRUSHPROOF SUCTION HOSE (WITHOUT WIRE) - ø1.5" DRY RECOVERY ONLY



1	381163	Wand Assembly with American Attachment. 2 pcs. Chrome	
2	381377A	Floor Tool with conductive bristles, 14". Aluminum	
3	381188	Crevice tool. SD*. 11". Aluminum	
	383551	Tool Kit # 17, for Static Dissipative Vacuum Cleaners - Dry Only, ø1.5"	

TOOL KIT No. 18 - STATIC DISSIPATIVE FOR USE WITH STATIC CONDUCTIVE CRUSHPROOF SUCTION HOSE (WITHOUT WIRE) - ø1.5" WET AND DRY RECOVERY

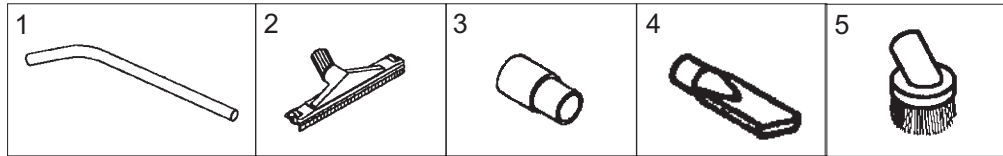


1	381163	Wand Assembly with American Attachment. 2 pcs. Chrome	
2	381377A	Floor Tool with conductive bristles, 14". Aluminum	
3	381374	Floor Tool with neoprene squeegee blades, 14". Aluminum	
4	381188	Crevice tool. SD*. 11". Aluminum	
	383552	Tool Kit # 18, for Static Dissipative Vacuum Cleaners - Wet & Dry, ø1.5"	

OTHER TOOLS AND ACCESSORIES AVAILABLE. PLEASE REVIEW ENCLOSED LISTINGS

THE ABOVE PRICES ARE EXPRESSED IN US DOLLARS FOB CHAMPLAIN, NY - PRICES SUBJECT TO CHANGE WITHOUT NOTICE

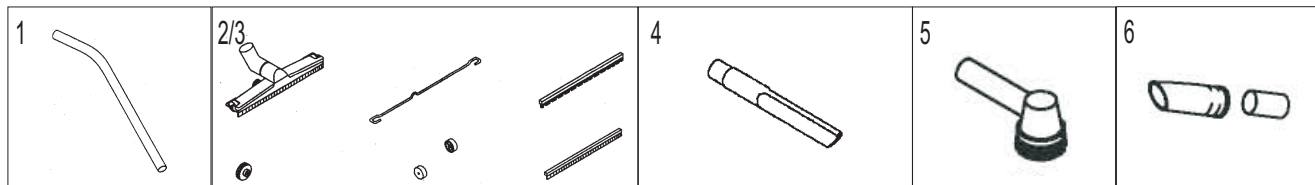
Standard Accessories - Custom Built ø2" Tool Kit # 16



1	500218	Wand, no coupling. ø2". Chrome	
2	500220	Floor Tool with squeegee with black plastic neck. ø2"	
3	500222	Adaptor for use with Crevice tool and Dusting Brush. Black plastic	
4	500224	Crevice Tool. Black plastic	
5	500226	Dusting Brush. Black plastic	
	501550		Total Tool Kit # 16

OTHER TOOLS AND ACCESSORIES AVAILABLE. PLEASE CONTACT OUR SALES REPRESENTATIVES FOR MORE INFORMATION

TOOL KIT No. 13 - EXPLOSION PROOF FOR USE WITH STATIC CONDUCTIVE CRUSHPROOF SUCTION HOSE (WITHOUT WIRE) - ø2"



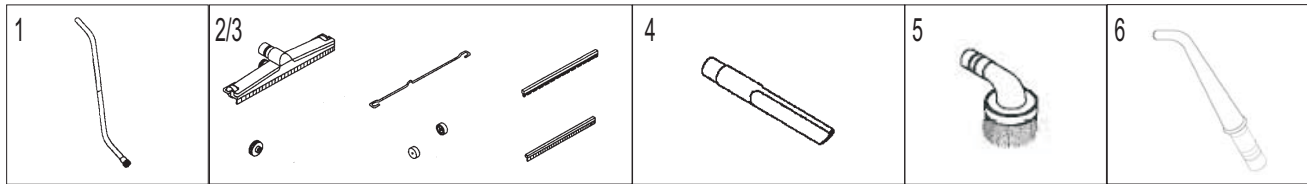
1	500160	Single Bend Wand, SD*, 48", aluminum. Press fit type	
2	500161A	Universal Tool Assembly, SD*, 20", aluminum with conductive brushes & rubber blades. Press fit type	
3	381178	Knob for Universal Tool	
	500151	Axle for Universal Tool, 20", chrome	
	381238	Wheel for Universal Tool, brass	
	500145	Blades for Universal Tool, set of 2, 20", rubber	
	500146A	Brush Strip for Universal tool, set of 2, 20", conductive	
4	500156B	Crevice Tool, SD*, 15", aluminum. Press fit type	
5	501184A	Dusting Brush, SD*, ø5", aluminum with conductive bristles. Press fit type	
6	500230	Conical Nozzle Assembly, 7.5", conductive rubber with aluminum connector. Press fit type	
	500113		Tool Kit #13, for Explosion Proof Vacuum Cleaners, ø2"

N.B. THE STATIC CONDUCTIVE CRUSPROOF SUCTION HOSE WITHOUT WIRE FOR USE WITH THIS TOOL KIT IS LISTED SEPARATELY. A STATIC CONDUCTIVE HOSE CUFF IS INSTALLED ON THE HOSE END TO ALLOW FOR PRESSURE FIT CONNECTION WITH THE ATTACHMENT. THE STATIC CONDUCTIVE CRUSHPROOF HOSE IS A GENERAL PURPOSE HOSE.

OTHER TOOLS AND ACCESSORIES AVAILABLE. PLEASE REVIEW ENCLOSED LISTINGS

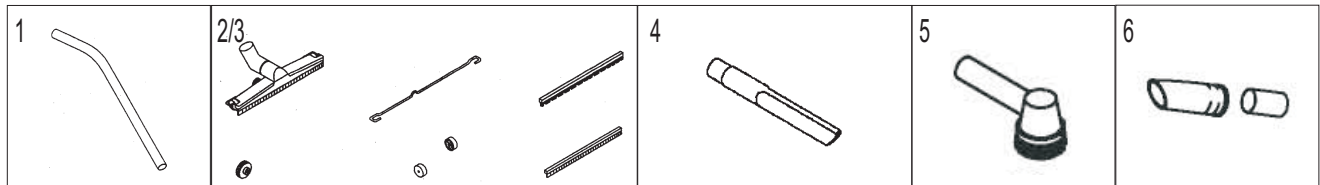
THE ABOVE PRICES ARE EXPRESSED IN US DOLLARS FOB CHAMPLAIN, NY - PRICES SUBJECT TO CHANGE WITHOUT NOTICE

TOOL KIT No. 10 - EXPLOSION PROOF FOR USE WITH WIRE SUPPORTED SUCTION HOSE (KANAFLEX TYPE) - Ø1.5"



1	381364A	Wand Assembly with aluminum attachment, 2 pcs, S/S**. For use with Kanaflex hose with hose cuff with ring	
2	381236	Universal Tool Assembly, SD*, 18", aluminum with conductive brushes and rubber blades	
3	381178	Knob for Universal Tool	
	381237	Axle for Universal Tool, 18", brass	
	381238	Wheel for Universal Tool, brass	
	381172	Blades for Universal Tool, set of 2, 18", rubber	
	381173A	Brush Strip for Universal Tool, set of 2, conductive brushes	
4	381372D	Crevice Tool, 11", S/S**. For use with Kanaflex hose with hose cuff with ring	
5	381185DA	Dusting Brush, with conductive brush, Ø5", aluminum with S/S** adaptor. For use with Kanaflex hose with hose cuff with ring	
6	383462D	Conical Nozzle with curved tip, 10", conductive rubber with S/S** adaptor. For use with Kanaflex hose with cuff with ring	
	381130	Tool Kit # 10, for Explosion Proof Vacuum Cleaners, Ø1.5"	

TOOL KIT No. 12 - EXPLOSION PROOF FOR USE WITH WIRE SUPPORTED SUCTION HOSE (KANAFLEX TYPE) - Ø2"



1	500160SS	Single Bend Wand, SD*, 48", S/S**. For use with Kanaflex hose with hose cuff with ring	
2	500161A	Universal Tool Assembly, SD*, 20", aluminum with conductive brushes & rubber blades. Press fit type	
3	381178	Knob for Universal Tool	
	500151	Axle for Universal Tool, 20", chrome	
	381238	Wheel for Universal Tool, brass	
	500145	Blades for Universal Tool, set of 2, 20", rubber	
	500146A	Brush Strip for Universal tool, set of 2, 20", conductive	
4	500558	Crevice Tool, SD*, 15", S/S*. For use with Kanaflex hose with hose cuff with ring	
5	501184DA	Dusting Brush, SD*, Ø5", aluminum with conductive bristles. For use with Kanaflex hose with hose cuff with ring	
6	500230D	Conical Nozzle Assembly, 7.5", conductive rubber with S/S** connector. For use with Kanaflex hose with hose cuff with ring	
	500112	Tool Kit #12, for Explosion Proof Vacuum Cleaners, Ø2"	

N.B. THE STATIC CONDUCTIVE KANAFLEX SD* SUCTION HOSE WITH WIRE, FOR USE WITH THIS TOOL KIT IS LISTED SEPARATELY. THE HOSE CUFF USED WITH THE KANAFLEX SUCTION HOSE HAS AN INTERNAL STAINLESS STEEL RING WHICH BONDS WITH THE INSERTED TOOL TO ENSURE CONDUCTIVITY. ALL CONNECTING TOOLS HAVE METAL TO METAL CONTACT TO ENSURE CONDUCTIVITY FROM ONE END TO THE OTHER

THE ABOVE PRICES ARE EXPRESSED IN US DOLLARS FOB CHAMPLAIN, NY - PRICES SUBJECT TO CHANGE WITHOUT NOTICE



... The name to vacuum with

Tiger-Vac Inc. (USA)
 73 S.W. 12 Avenue
 Building 1, Unit #7
 Dania, FL 33004
 Tel: (954) 925-3625
 Fax: (954) 925-3626

Suction Hose Assemblies - Custom Built ø1.5" PVC Crushproof Hose

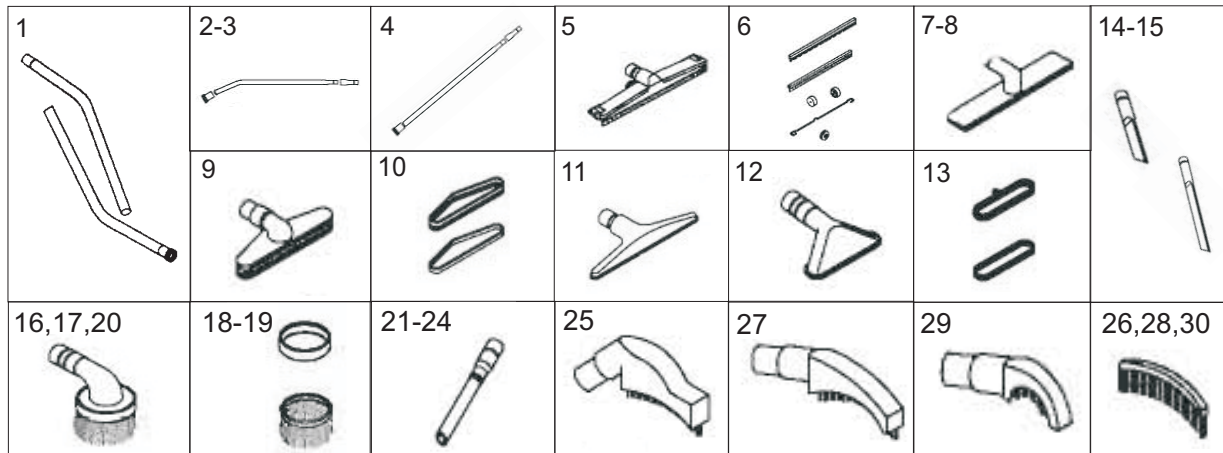
	<p>381141 381198 381199 381229</p>	<p>A) Crushproof Suction Hose ø1.5" (ø38mm). (Sold in increments of 5' - 60' roll) B) Hose Cuff Swivel, ø1.5" (ø38mm), grey PVC C) Hose Cuff, ø1.5" (ø38mm), grey PVC D) Camlock Part C, female adaptor with hose shank, ø1.5" (ø38mm), aluminum</p>	
	<p>381141 381202 381198 500163</p>	<p>A) Crushproof Suction Hose ø1.5" (ø38mm). (Sold in increments of 5' - 60 ft roll) B) Hose Cuff Expander, ø1.5" (ø38mm) hose to ø2" (ø50mm) tube, grey PVC C) Hose Cuff Swivel, ø1.5" (ø38mm), grey PVC D) Camlock Part C, female adaptor with hose shank, ø2" (ø50mm), aluminum</p>	

Suction Hose Assemblies - Custom Built ø2" PVC Crushproof Hose

	<p>500140 500137 500163</p>	<p>A) Crushproof Suction Hose ø2" (ø50mm). (Sold in increments of 5' - 60' roll) B) Hose Cuff, ø2" (ø50mm), grey PVC (2 required) C) Camlock Part C, female adaptor with hose shank, ø2" (ø50mm), aluminum</p>	
--	---	---	--

THE ABOVE PRICES ARE EXPRESSED IN US DOLLARS FOB CHAMPLAIN, NY - PRICES SUBJECT TO CHANGE WITHOUT NOTICE

Aluminum Accessories - Custom Built Heavy Duty ø1.5" Tools and Accessories



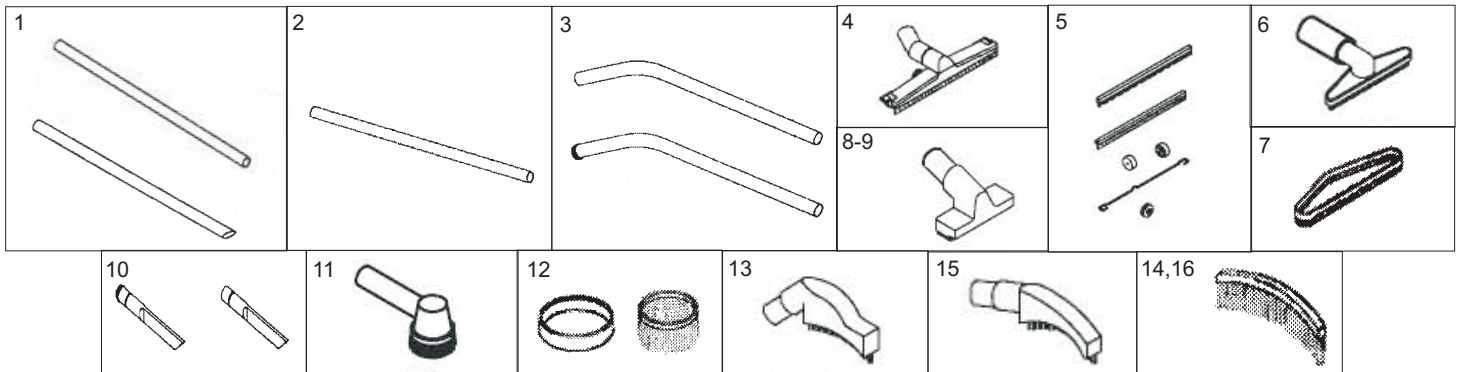
1	381163	Wand Assembly with aluminum attachment. 2 pcs. Chrome plated	
2	381161	Single Bend Wand. SD*. 54". Aluminum	
3	381161B	Single Bend Wand. 54". Aluminum	
4	381162B	Straight Wand with chrome male connector and female screw type. SD*. ø1.5" x 54". Aluminum	
5	381171	Universal Tool. Includes rubber blades & brush strips. 18". Aluminum	
6	381173	Brush Strips for Universal Too. Set of 2. 18". Nylon	
	381172	Blades for Universal Tool. Set of 2. 18". Rubber	
	381174	Wheel for Universal Tool. Plastic	
	381177	Axle for Universal Tool. 18". Chrome	
	381178	Knob for Universal Tool	
7	381374	Floor Tool with neoprene squeegee blades. 14". Aluminum	
8	381377	Floor Tool with nylon brushes. 14". Aluminum	
9	381179	Wall Brush. 9". Aluminum	
10	381180	Replacement bristles for Wall Brush. 9". Nylon	
11	381182	Gulper Tool. 12". Aluminum	
12	381183	Upholstery Tool only with chrome coupling. 6". Aluminum	
13	381184	Clamp-on brush and bumper with nylon bristles for Upholstery Tool. 6"	
	381184B1	Replacement Bristles for Clamp-on Brush and Bumper. Nylon	
14	381188	Crevice Tool. SD*. 11". Aluminum	
15	381189	Crevice Tool with chrome connector. 24". Aluminum	
16	381185	Dusting Brush with chrome coupling, with nylon bristles. ø5". Aluminum	
17	381185M	Dusting Brush with 1" nylon bristles. Brush only, no chrome connector. ø5". Aluminum	
18	381186	Replacement bristles for Dusting Brush. ø5". Nylon	
19	381187	Replacement bumper for Dusting Brush. ø5".	
20	381482	Dusting Brush. ø3".	
21	381190	Conical Nozzle Assembly. 6". Nitrile	
22	381190A	Conical Nozzle. 6". Rubber	
23	381219	Conical Nozzle Assembly. 21". Nitrile	
24	381570	Conical Nozzle / Reducer Adaptor ø1.5" to ø1.25"	
25	381191	Pipe Cleaning Tool with nylon bristles. 6". Aluminum	
26	381192	Replacement Bristles for Pipe Cleaning Tool. 6". Nylon	
27	381193	Pipe Cleaning Tool with nylon bristles. 4" to 6", Aluminum	
28	381194	Replacement Bristles for Pipe Cleaning Tool. 4" to 6". Nylon	
29	381195	Pipe Cleaning Tool with nylon bristles. 1" to 3". Aluminum	
30	381196	Replacement Bristles for Pipe Cleaning Tool. 1" to 3". Nylon	

SD* - Static Dissipating

S/S** - Stainless Steel AISI 304

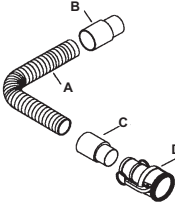
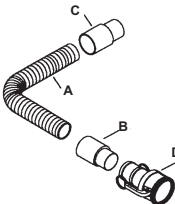
THE ABOVE PRICES ARE EXPRESSED IN US DOLLARS FOB CHAMPLAIN, NY - PRICES SUBJECT TO CHANGE WITHOUT NOTICE

Aluminum Accessories - Custom Built Heavy Duty ø2" Tools and Accessories

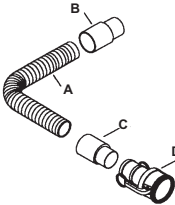


1	500142A	Bulk Pick-Up Wand with end cut at 45 degrees. No coupling. 48". Aluminum	
2	500143A	Extension Wand only with taper for multiple extensions. 48". Aluminum	
3	500160	Single Bend Wand only with taper for Universal Tool. 48". Aluminum	
4	500161	Universal Tool with rubber blades and regular brush strips. No coupling. 20". Aluminum	
5	500145	Blades for Universal Tool, set of 2. 20". Rubber	
	500146	Brush Strips for Universal Tool, set of 2. 20"	
	381174	Wheel for Universal Tool. Plastic	
	500151	Axle for Universal Tool. 20". Chrome	
	381178	Knob for Universal Tool	
6	501178	Wall Brush with nylon bristles and ø2" tube for pressure fit connection. 9". Aluminum	
7	381180	Replacement Bristles for Wall Brush. 9". Nylon	
8	501200	Utility Tool with nylon bristles and ø2" tube for pressure fit connection. 8". Aluminum	
9	500154B	Utility Tool. 8". Aluminum	
10	500156B	Crevice Tool. 15". Aluminum	
11	501184	Dusting Brush with nylon bristles and ø2" tube for pressure fit connection. ø5". Aluminum	
12	381187	Replacement Bumper for Dusting Brush. ø5"	
	381186	Replacement Bristles for Dusting Brush. ø5". Nylon	
13	501190	Pipe Cleaning Tool with nylon bristles and ø2" tube for pressure fit connection. 6". Aluminum	
14	381192	Replacement Bristles for Pipe Cleaning Tool. 6". Nylon	
15	501192	Pipe Cleaning Tool with nylon bristles and ø2" tube for pressure fit connection. 4" to 6". Aluminum	
16	381194	Replacement Bristles for Pipe Cleaning Tool. 4" to 6". Nylon	

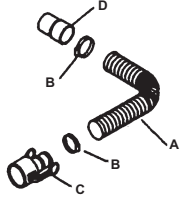
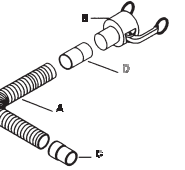
Suction Hoses for Explosion Proof Vacuum Cleaners ø1.5" Static Conductive Crushproof Hose

	<p>383438 383437 383436 381229</p>	<p>A) Static Conductive Crushproof Suction Hose ø1.5" (ø38mm). (Sold in increments of 5' - 60' roll) B) Swivel Hose Cuff, ø1.5" (ø38mm), static conductive, black C) Hose Cuff, ø1.5" (ø38mm), static conductive, black D) Camlock Part C, female adaptor with hose shank, ø1.5" (ø38mm), aluminum</p>	
	<p>383438 383435 383437 500163</p>	<p>A) Static Conductive Crushproof Suction Hose ø1.5" (ø38mm). (Sold in increments of 5' - 60' roll) B) Hose Cuff Expander, ø1.5" (ø38mm) to ø2" (ø50mm), static conductive, black C) Swivel Hose Cuff, ø1.5" (ø38mm), static conductive, black D) Camlock Part C, female adaptor with hose shank, ø2" (ø50mm), aluminum</p>	

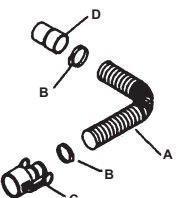
Suction Hoses for Explosion Proof Vacuum Cleaners ø2" Static Conductive Crushproof Hose

	<p>500538 500535 500536 500163</p>	<p>A) Static Conductive Crushproof Suction Hose ø2" (ø50mm). SD* (Sold in increments of 5' - 60' roll) B) Swivel Hose Cuff, ø2" (ø50mm), static conductive, black. SD* C) Hose Cuff, ø2" (ø50mm), static conductive, black. SD* D) Camlock Part C, female adaptor with hose shank, ø2" (ø50mm), aluminum</p>	
--	--	--	--

Suction Hoses for Explosion Proof Vacuum Cleaners ø1.5" Kanaflex Hose

	<p>381398 381149B 381229 381395</p>	<p>A) Kanaflex Hose ø1.5" (ø38mm) SD*. (Sold in increments of 5' -50' roll) B) Clamp C) Camlock Part C, female adaptor with hose shank, ø1.5" (ø38mm), aluminum D) Hose Cuff with stainless steel ring for ø1.5" (ø38mm) wire supported hose (Kanaflex)</p>	
	<p>381398 500163 381395 383435</p>	<p>A) Kanaflex Hose ø1.5" (ø38mm) SD*. (Sold in increments of 5' - 50' roll) B) Camlock Part C, ø2" (ø50mm) female with ø2" (ø50mm) hose shank, aluminum C) Hose Cuff with stainless steel ring for ø1.5" (ø38mm) wire supported hose (Kanaflex) D) Expander Hose Cuff, ø1.5" to ø2" (ø38mm to ø50mm), static conductive, black (not shown)</p>	

Suction Hoses for Explosion Proof Vacuum Cleaners ø2" Kanaflex Hose

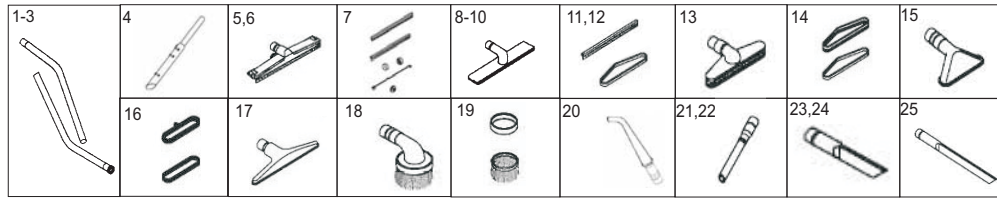
	<p>500300 500159 500163 500298</p>	<p>A) Kanaflex Hose ø2" (ø50mm) SD*. (Sold in increments of 5' - 50' roll) B) Clamp Size 32, for hose end C) Camlock Part C, female adaptor with hose shank, ø2" (ø50mm), aluminum D) Hose Cuff with stainless steel ring for ø2" (ø50mm) wire supported hose (Kanaflex)</p>	
--	---	---	--



... The name to vacuum with

Tiger-Vac Inc. (USA)
73 S.W. 12 Avenue
Building 1, Unit #7
Dania, FL 33004
Tel: (954) 925-3625
Fax: (954) 925-3626

Explosion Proof Tools and Accessories for use with ø1.5" Static Conductive Crushproof Hose



1	381364	Wand Assembly, S/S**, with aluminum STTC attachment, 2pcs. SD*. For use with Universal & Floor Tools	
2	381366	Wand Assembly, S/S**, with S/S** STTC attachment. SD*. S/S**. For use with Universal & Floor Tools	
3	381163	Wand Assembly, chrome plated, with aluminum STTC attachment, 2 pcs. SD*. For Universal & Floor Tools	
4	383432	Continuous Suction Wand. Extendable length. SD*. S/S**. From 34" to 54". For SC*** CPH	
5	381235	Universal Floor Tool, alum, Incl: rubber blades, brass axle & wheels. SD*. 18". For use with SC*** CPH. For fuel recovery	
6	381236	Universal Floor Tool, aluminum, Incl: conductive brush strips, rubber blades, brass axle & wheels. SD*. 18". For use with STTC attachment. For wet and dry recovery	
7	381173A 381172 381238 381237 381178	Brush Strips for Universal Tool, (set of 2). 18". Conductive Blades for Universal Tool, (set of 2). 18". Rubber Wheel for Universal Tool. Brass Axle for Universal Tool. 18". Brass Knob for Universal Tool	
8	381216A	Universal Floor Tool, aluminum, Incl: rubber blades, conductive brush strips & brass wheels. SD*. 14". For use with STTC attachment. For wet and dry recovery	
9	381370	Squeegee Floor Tool Assembly, S/S**, with rubber blades & wheels. 14". For use with STTC attachment	
10	381374	Squeegee Floor Tool Assembly, Alum, with rubber blades & wheels. 14". For use with STTC attachment	
11	381370B	Replacement Blades for Squeegee Floor Tool #381370. Set of 6. 14". Nitrile Rubber	
	381382	Replacement Blades for Squeegee Floor Tool #381374. Set of 4. 14". Neoprene	
12	381181	Bumper for Squeegee Floor tool. 14"	
13	381377A	Floor Tool, aluminum, with conductive brush. SD*. 14". For use with STTC attachment	
14	381379A 381181	Replacement Brush for Floor Tool. SD*. 14". Conductive Bumper for Floor Tool. 14"	
15	381183M	Upholstery Tool only, aluminum.. SD*. 6". For use with SC*** Crushproof hose	
16	381184A 381184AM	Clamp-on Brush, aluminum, and Bumper with conductive bristles for Upholstery Tool. SD*. 6" Replacement Bristles for Clamp-on Brush and Bumper. Conductive	
17	381182	Gulper Tool, aluminum. No brush, no rubber blades. 12". For use with STTC attachment	
18	381185MA	Dusting Brush, aluminum, with conductive bristles. SD*. 5". For use with SC*** CPH	
19	381187 381186A	Replacement Bumper for Dusting Brush. 5" Replacement Bristles for Dusting Brush. 5". Conductive	
20	383462	Conical Nozzle with curved tip, rubber, with adaptor. 10". For use with SC*** Crushproof hose	
21	381190	Conical Nozzle Assembly, nitrile, with STTC adaptor for de-fueling applications. SD*. 6". For use with SC** Crushproof hose	
22	381219	Conical Nozzle Assembly, nitrile, with STTC adaptor for de-fueling applicaitons. SD*. 21". For use with SC** Crushproof hose	
23	383461D	Conical Nozzle Asmbly 7.5" Conductive Rubber (Can also be used with SC* Hose)	
24	381188	Crevice Tool, aluminum. SD*. 11". For use with SC** Crushproof hose	
25	381372	Crevice Tool, S/S**. SD*. 11". For use with SC*** Crushproof hose	
26	381189	Crevice Tool, aluminum. SD*. 24". For use with SC*** Crushproof hose	

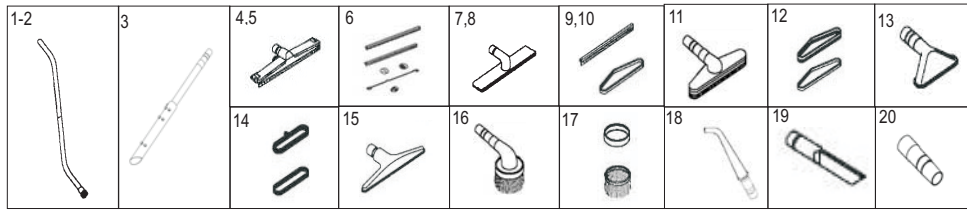
SD* - Static Dissipating S/S** - Stainless Steel AISI 304 SC*** - Static Conductive CPH - Crushproof Hose STTC - Screw type Tool Coupling
THE ABOVE PRICES ARE EXPRESSED IN US DOLLARS FOB CHAMPLAIN, NY - PRICES SUBJECT TO CHANGE WITHOUT NOTICE



... The name to vacuum with

Tiger-Vac Inc. (USA)
73 S.W. 12 Avenue
Building 1, Unit #7
Dania, FL 33004
Tel: (954) 925-3625
Fax: (954) 925-3626

Explosion Proof Tools and Accessories for use with ø1.5" Kanflex Hose



1	381364A	Wand Assembly, S/S**, with aluminum STTC attachment, 2pcs. SD*. For use with Universal and Floor Tools
2	381366A	Wand Assembly, S/S**, with S/S** STTC attachment. SD*. S/S**. For use with Universal and Floor Tools
3	383432A	Continuous Suction Wand, S/S**. Extendable length. SD*. From 34" to 54". For use with Kanaflex hose with hose cuff & ring (adaptor sold separately)
4	381235	Universal Floor Tool, aluminum, Incl: rubber blades, brass axle & wheels. SD*. 18". For use with STTC attachment. For Fuel Recovery
5	381236	Universal Floor Tool, aluminum, Incl: conductive brush strips, rubber blades, brass axle & wheels. SD*. 18". For use with STTC attachment. For wet and dry recovery
6	381173A 381172 381238 381237 381178	Brush Strips for Universal Tool, (set of 2). 18". Conductive Blades for Universal Tool, (set of 2). 18". Rubber Wheel for Universal Tool. Brass Axle for Universal Tool. 18". Brass Knob for Universal Tool
7	381370	Squeegee Floor Tool Assembly, S/S**, with rubber blades and wheels. 14". For use with STTC attachment
8	381374	Squeegee Floor Tool Assembly, Alum., with rubber blades and wheels. 14". For use with STTC attachment
9	381370B 381382	Replacement Blades for Squeegee Floor Tool #381370. Set of 6. 14". Nitrile Rubber Replacement Blades for Squeegee Floor Tool #381374. Set of 4. 14". Neoprene
10	381181	Bumper for Squeegee Floor Tool. 14"
11	381377A	Floor Tool, aluminum, with conductive brush. SD*. 14". For use with STTC attachment. For dry recovery only
12	381379A 381181	Replacement Brush, SD*, for Floor Tool. 14". Conductive Bumper for Floor Tool. 36cm
13	381183D	Upholstery Tool only, aluminum, with S/S** coupling. SD*. 6". For use with Kanaflex hose with hose cuff & ring
14	381184A 381184AM	Clamp-on Brush, aluminum, and Bumper with conductive bristles for Upholstery Tool. SD*. 6". Replacement Bristles for Clamp-on Brush. Conductive
15	381182	Gulper Tool, aluminum. No brush, no rubber blades. 12". For use with STTC attachment. For bulk recovery
16	381185DA	Dusting Brush, aluminum, with S/S** adaptor, with conductive bristles. SD*. 5". For use with Kanaflex hose with hose cuff & ring.
17	381187 381186A	Replacement Bumper for Dusting Brush. 5" Replacement Bristles for Dusting Brush. 5". Conductive
18	383462D	Conical Nozzle with curved tip, conductive rubber, with S/S** adaptor. 10". For use with Kanaflex hose with hose cuff & ring
19	383461D	Conical Nozzle Asmbly 7.5" Conductive Rubber (Can also be used with SC* Hose)
20	381372D	Crevice tool. SD*. 11". S/S**. For use with Kanaflex hose with hose cuff & ring
21	381147D	Adaptor Only. Stainless steel AISI 304. For use with Kanaflex hose with hose cuff & ring

SD* - Static Dissipating S/S - Stainless Steel AISI 304 SC*** - Static Conductive STTC - Screw Type Tool Coupling**

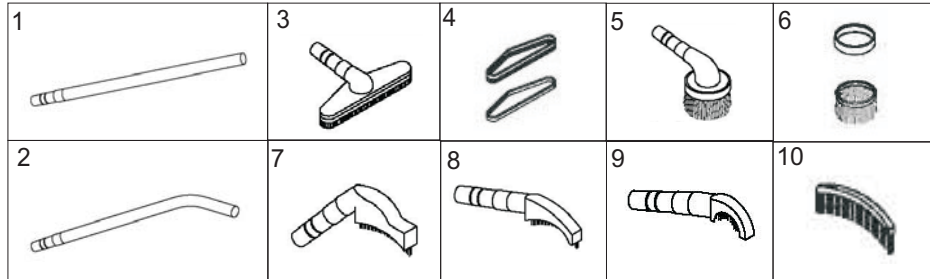
THE ABOVE PRICES ARE EXPRESSED IN US DOLLARS FOB CHAMPLAIN, NY - PRICES SUBJECT TO CHANGE WITHOUT NOTICE



... The name to vacuum with

Tiger-Vac Inc. (USA)
73 S.W. 12 Avenue
Building 1, Unit #7
Dania, FL 33004
Tel: (954) 925-3625
Fax: (954) 925-3626

Explosion Proof Tools and Accessories for use with ø1.5" Static Conductive Crushproof Hose and Kanaflex Hose



1	381162D	Straight Wand for multiple extensions with S/S** connector on one end and with the other end expanded. SD*. 54". Aluminum. For use with Kanaflex hose with hose cuff & ring	
2	381161D	Single Bend Wand with S/S** connector on one end and with the other end expanded. SD*. 54". Aluminum. For use with Kanaflex hose with hose cuff & ring	
3	381179DA	Wall Brush with conductive bristles. SD*. 9". Aluminum. For use with Extension Wands	
4	381180A 381181	Replacement Bristles for Wall Brush. 9". Conductive Bumper for Wall Brush. 9"	
5	381185DA	Dusting Brush with S/S** adaptor, with conductive bristles. SD*. 5". Aluminum. For use with Extension Wands and with Kanaflex hose with hose cuff & ring.	
6	381187 381186A	Replacement Bumper for Dusting Brush. 5" Replacement Bristles for Dusting Brush. 5". Conductive	
7	381191DA	Pipe Cleaning Tool with conductive bristles. SD*. 6"m. Aluminum. For use with Extension Wands	
8	381193DA	Pipe Cleaning Tool with conductive bristles. SD*. 4" - 6". Aluminum. For use with Extension Wands	
9	381195DA	Pipe Cleaning Tool with conductive bristles. 1" - 3". Aluminum. For use with Extension Wands	
10	381192A 381194A 381196A	Replacement Bristles for Pipe Cleaning Tool. 6". Conductive Replacement Bristles for Pipe Cleaning Tool. 4" - 6". Conductive Replacement Bristles for Pipe Cleaning Tool. 1" - 3". Conductive	

SD* - Static Dissipating S/S - Stainless Steel AISI 304 SC*** - Static Conductive STTC - Screw Type Tool Coupling**

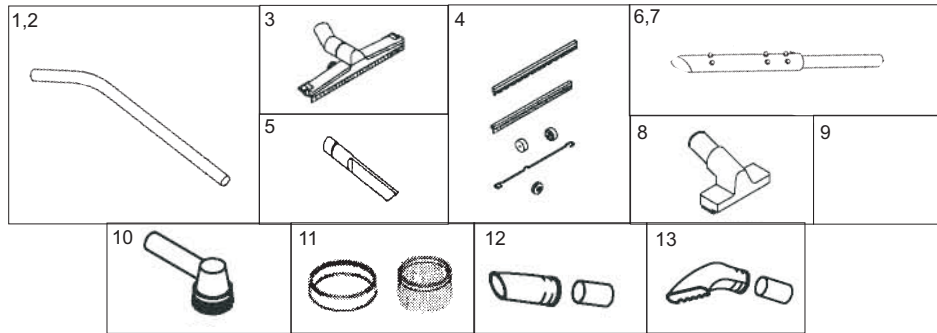
THE ABOVE PRICES ARE EXPRESSED IN US DOLLARS FOB CHAMPLAIN, NY - PRICES SUBJECT TO CHANGE WITHOUT NOTICE



... The name to vacuum with

Tiger-Vac Inc. (USA)
73 S.W. 12 Avenue
Building 1, Unit #7
Dania, FL 33004
Tel: (954) 925-3625
Fax: (954) 925-3626

Explosion Proof Tools and Accessories for use with ø2" Static Conductive Crushproof Hose

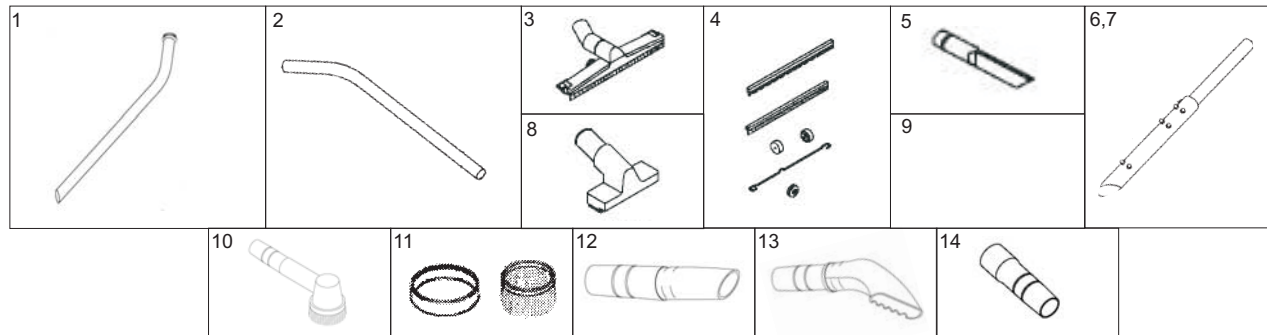


1	500160	Single Bend Wand, aluminum, with taper for Universal Tool. SD*. 48". For use with SC*** Crushproof hose and Universal Floor Tool	
2	500160B	Single Bend Bulk Pick-up Wand, aluminum, with one end cut at 45 degrees. SD*. 48". For use with SC*** Crushproof hose and Universal Floor Tool	
3	500161A	Universal Tool, aluminum, no coupling, with brass wheels, conductive bristles and rubber blades. SD*. 20". For use with Single Bend Wand	
4	500145 500146A 381238 500151 381178	Blades for Universal Tool, set of 2. 20". rubber Brush Strips for Universal Tool, set of 2. 20". Conductive Wheel for Universal Tool. Brass Axle for Universal Tool. SD*. 20". Chrome Knob for Universal Tool	
5	500156B	Crevice Tool, aluminum. SD*. For use with SC*** Crushproof hose	
6	500502	Continuous Suction Wand, S/S**. Extendible length. SD*. ø2". From 34" to 54". For use with SC*** Crushproof hose	
8	501200A	Utility Tool, aluminum, with conductive bristles and ø50mm tube for pressure fit connection. SD*. 8". For use with SC*** Crushproof hose	
9	500155A	Replacement Bristles for Utility Tool. SD*. 8"	
10	501184A	Dusting Brush, aluminum, with conductive bristles and ø50mm tube for press fit connection. SD*. 5". For use with SC*** Crushproof hose	
11	501187AM	Dusting Brush, 2" Conductive Rubber with Bristles	
12	381187 381186A	Replacement Bumper for Dusting Brush. 5" Replacement Bristles for Dusting Brush. 5". Conductive	
13	500230	Conical Nozzle Assembly, rubber, with ø2" pressure fit aluminum connector. SD*. 7.5". For SC*** Crushproof hose	
14	500234	Tiger-Claw Assembly, rubber, with ø2" pressure fit aluminum connector. SD*. 4.5". For SC*** Crushproof hose	

SD* - Static Dissipating S/S** - Stainless Steel AISI 304 SC*** - Static Conductive CPH - Crushproof Hose STTC - Screw type Tool Coupling

THE ABOVE PRICES ARE EXPRESSED IN US DOLLARS FOB CHAMPLAIN, NY - PRICES SUBJECT TO CHANGE WITHOUT NOTICE

Explosion Proof Tools and Accessories for use with ø2" Kanflex Suction Hose



1	500160ST	Bulk Pick-up Wand, S/S**, with one end cut at 45 degrees. SD*. 48". For use with Kanaflex hose with cuff and ring	
2	500160SS	Single Bend Wand, S/S**. SD*. 48". For use with Universal Tool	
3	500161A	Universal Tool, aluminum, with brass wheels, conductive bristles and rubber blades. SD*. 20". For use with SC*** Crushproof hose	
4	500145 500146A 381238 500151 381178	Blades for Universal Tool, set of 2. 20". rubber Brush Strips for Universal Tool, set of 2. 20". Conductive Wheel for Universal Tool. Brass Axle for Universal Tool. SD*. 20". Chrome Knob for Universal Tool	
5	500558	Crevice Tool, S/S**. SD*. 15". For use with Kanaflex hose with hose cuff & ring	
6	500502	Continuous Suction Wand, S/S**. Extendible length. SD*. ø2". From 34" to 54". For use with Kanaflex hose with hose cuff & ring (adaptor sold separately)	
8	500154DA	Utility Tool, aluminum, with adaptor and conductive bristles. SD*. 8". For use with Kanaflex hose with hose cuff & ring	
9	500155A	Replacement Bristles for Utility Tool. SD*. 8"	
10	501184DA	Dusting Brush, aluminum, with adaptor and conductive bristles. SD*. 5". For use with Kanaflex hose with hose cuff & ring	
11	501187AM	Dusting Brush, 2" Conductive Rubber with Conductive Bristles	
12	381187 381186A	Replacement Bumper for Dusting Brush. 5" Replacement Bristles for Dusting Brush. 5". SD* and Conductive	
13	500230D	Conical Nozzle Assembly, rubber, with adaptor. SD*. 7.5". For Kanaflex hose with hose cuff & ring	
14	500234D	Tiger-Claw Assembly, rubber, with adaptor. SD*. 4.5". For Kanaflex hose with hose cuff & ring	
15	500556	Adaptor only, stainless steel AISI 304. For use with Kanaflex hose with hose cuff & ring	

SD* - Static Dissipating S/S - Stainless Steel AISI 304 SC*** - Static Conductive**

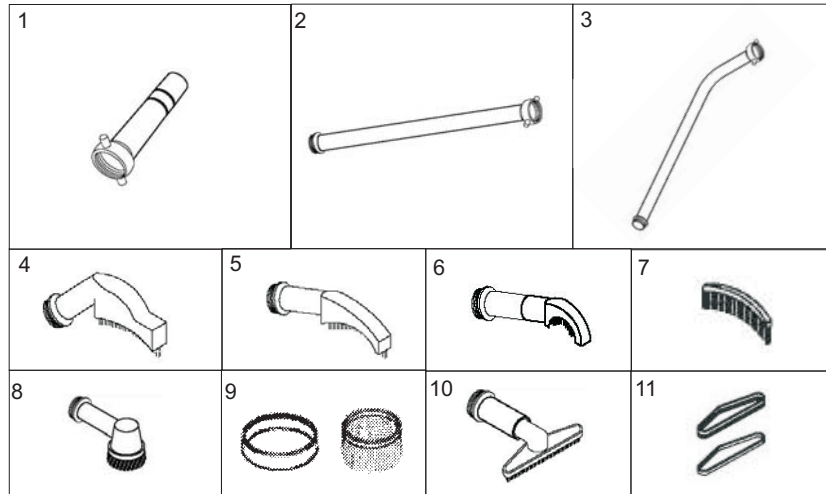
THE ABOVE PRICES ARE EXPRESSED IN US DOLLARS FOB CHAMPLAIN, NY - PRICES SUBJECT TO CHANGE WITHOUT NOTICE



... The name to vacuum with

Tiger-Vac Inc. (USA)
73 S.W. 12 Avenue
Building 1, Unit #7
Dania, FL 33004
Tel: (954) 925-3625
Fax: (954) 925-3626

Explosion Proof Tools and Accessories for use with ø2" Static Conductive Crushproof Hose and Kanaflex Hose






1	500557	Starting Adaptor, S/S**, with aluminum female STTC. For use with Extension Wands with STTC & Kanaflex hose with hose cuff & ring	
2	500143D	Straight Wand for multiple extensions with male and female aluminum STTC. SD*. 60". Aluminum. For use with Kanaflex hose with hose cuff & ring. (Starting Adaptor sold separately)	
3	500141D	Single Bend Extension Wand with male and female aluminum STTC. SD*. 54" Aluminum. For use with Kanaflex hose with hose cuff & ring. (Starting Adaptor sold separately)	
4	501191A	Pipe Cleaning Tool, aluminum, with conductive bristles. SD*. 6". For use with Extension Wands with STTC	
5	501193A	Pipe Cleaning Tool, aluminum, with conductive bristles. SD*. 4" - 6". For use with Extension Wands with STTC	
6	501195A	Pipe Cleaning Tool, aluminum, with conductive bristles. SD*. 1" - 3". For use with Extension Wands with STTC	
7	381192A 381194A 381196A	Replacement Bristles for Pipe Cleaning Tool. 6". Conductive Replacement Bristles for Pipe Cleaning Tool. 4" - 6". Conductive Replacement Bristles for Pipe Cleaning Tool. 1" - 3". Conductive	
8	501185A	Dusting Brush, aluminum, with conductive bristles. SD*. 5". For use with Extension Wands with STTC	
9	381187 381186A	Replacement Bumper for Dusting Brush. 5" Replacement Bristles for Dusting Brush. 5". SD* and Conductive	
10	501179A	Wall Brush, aluminum, with conductive bristles. SD*. 9". For use with Extension Wands with STTC	
11	381180A 381181	Replacement Bristles for Wall Brush. 9". SD* and Conductive Replacement Bumper for Wall Brush.	

SD* - Static Dissipating S/S - Stainless Steel AISI 304 SC*** - Static Conductive STTC - Screw Type Tool Coupling**

THE ABOVE PRICES ARE EXPRESSED IN US DOLLARS FOB CHAMPLAIN, NY - PRICES SUBJECT TO CHANGE WITHOUT NOTICE

Y CONNECTOR ASSEMBLIES

	635276 635278	Y Connector, 2 x 2" (50mm), 70mm, galvanized Y Connector, 2 x 1.5" (38mm), 70mm, galvanized	
	501500 501502	Y Connector Assembly, 2" female camlock x 1.5" x 1.5" male camlocks, aluminum Y Connector Assembly, 2" female camlock x 2" x 2" male camlocks, aluminum	
	501504 501506	Y Connector Assembly for press fit hose cuff, 2" female camlock x 1.5" x 1.5" hose barb, aluminum Y Connector Assembly for press fit hose cuff, 2" female camlock x 2" x 2" hose barb, aluminum	